

Watson 2100



2100TM

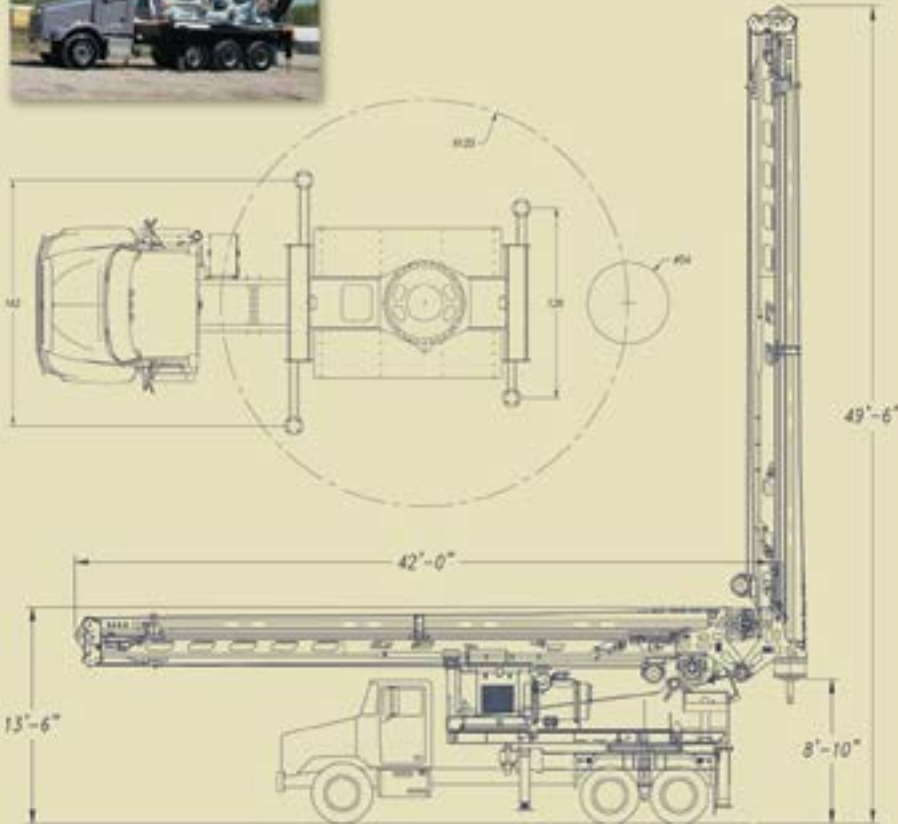
Model 2100 Rigs

These rigs are fast, easy to operate and highly productive.

Dedicated to the long run...Watson keeps you turning to the right.



2100 Info



Features:

- John Deere 140hp diesel engine
- Hydraulic winches. Inner kelly winch has "controlled freefall" feature
- Telescoping dry kellys
- Mechanical drive train with torque converter driven powershift transmission.
- Two (2) independently controlled raising cylinders
- Travel position height and gross weight allow single load transport, typically without permits
- Out/down outriggers on cab end, stabilizers on drill end

Options:

- Operator cab with optional heat and AC
- Electronic depth and level indicators
- Water tank
- A-frame outriggers on drill end
- Various kelly/mast configurations for alternate drill depths

Specifications:	SAE UNITS	ISO
Typical Hole Diameters	72 in	183 cm
Hole Depth*	66 ft	20.1 m
Rotary Torque	54,000 ft lb	73 kNm
Crowd Force	24,000 lb	107 kN
Kelly Winch Capacity	18,000 lb	80 kN
Kelly Winch Hoist Speed	200 fpm	61 mpm
Service Winch Capacity	12,000 lb	53 kN
Truck Rig Weight	59,480 lb	26,980 kgs

Specifications subject to change depending on configuration.