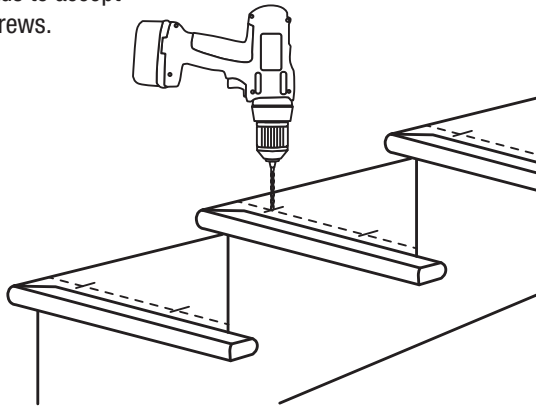


# Installing Pin Top Balusters with 3076 Baluster Screws

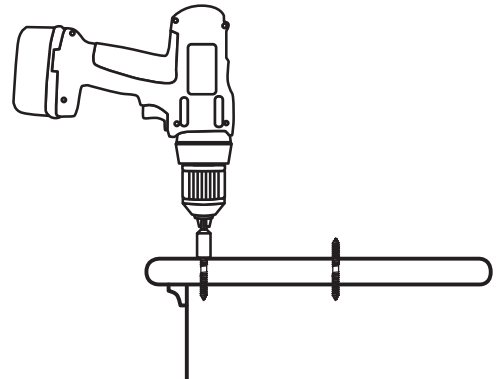
**NOTE: For interior use only**

Many stair installers install the handrail first, and then install the balusters under the handrail. This installation procedure can also be done using 3076 Baluster Screws. Here are some guidelines to follow for installing pin top balusters using baluster screws.

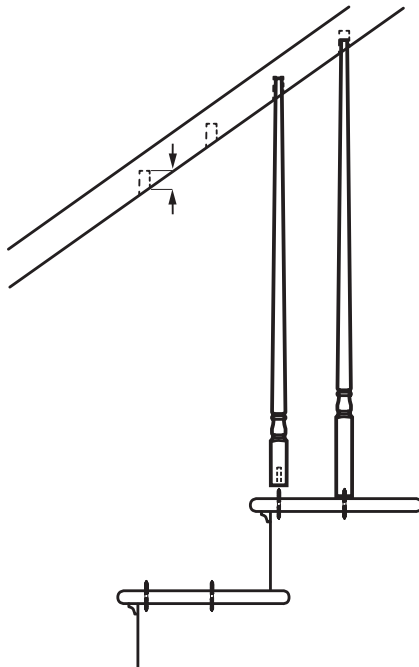
**Step 1** – Drill a 9/32" pilot hole in the treads to accept the baluster screws.



**Step 2** – Using the 3033 Baluster Screw Driver attachment in your power drill, install a baluster screw into each of the pre-drilled holes in each tread or baluster until the runner contacts the wood surface.



**Step 3** – Pre-drill the handrail for each of the balusters as deep as the length of the baluster screw which is exposed above the wood surface (approx. 3/4") PLUS 1/2"–3/4" to allow for insertion into the rail (1-1/4" — 1-1/2" total). If the baluster screws were installed into the tread, go to step (4a). If the baluster screws were installed into the balusters, go to step (4b).



**Step 4** – Insert each baluster into its corresponding pre-drilled hole underneath the handrail. Slide the baluster up over the dowel screw in the tread and screw the baluster down onto the dowel screw (4a). Or, slide the baluster with the dowel screw over the pre-drilled hole in the tread and screw the baluster down into the tread (4b). Take care not to scratch the tread.

