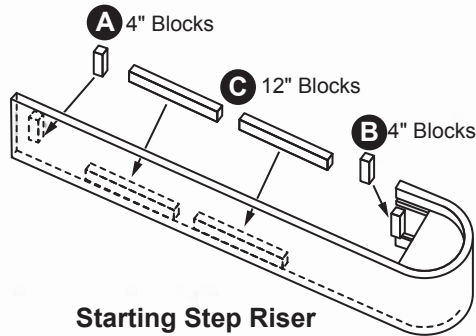


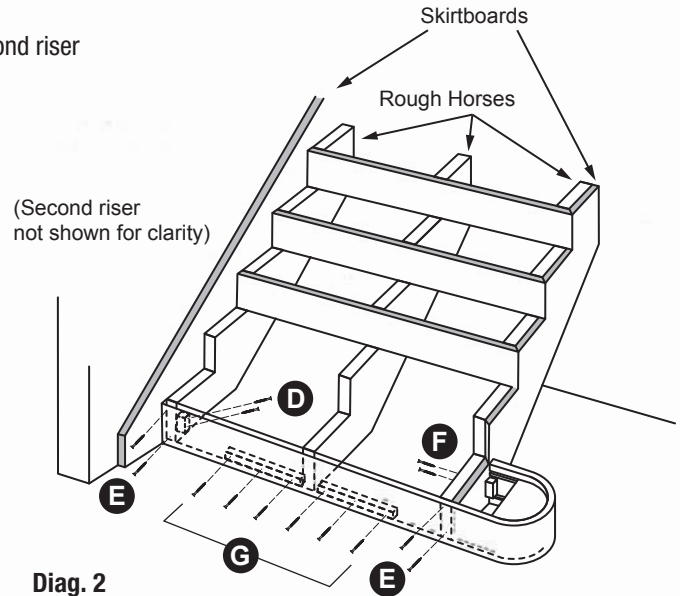
Starting Step Installation Instructions

The following instructions will provide a solid installation for a bullnose starting step and ultimately the starting newel. The instructions assume that the starting step will be installed with the rest of the finished treads and risers.

Step 1 – Install the finished risers on the stair first, starting with the second riser and proceeding up the stair.



Diag. 1



Diag. 2

Step 2 – Prepare the starting step riser for installation. (**Diag. 1**)

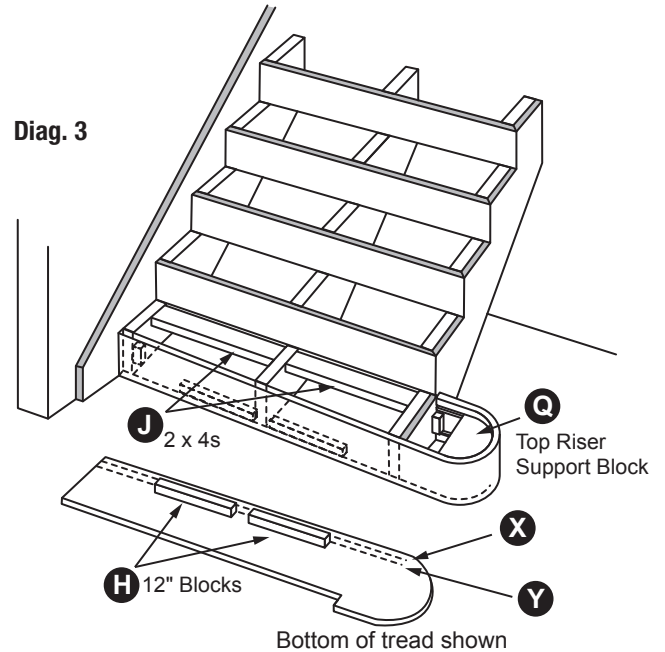
- Trim the starting step riser to length and/or fit the ends of the riser to the skirtboards.
- Rip the riser to the proper rise. (This can be done carefully with a circular saw or table saw)
- Locate the starting step riser in its final position.
- When installing a single bullnose starting step, use glue and screws to attach a 4" long block (A) to the back side of the riser just inside of the rough horse on the closed side of the stair.
Note: Take care not to run the screws through the front of the riser. Allow the glue to set up before final installation of the riser.
- Make certain the rough horses and skirt boards are installed correctly.
- Attach a 4" block (B) inside the bullnose end(s) of the riser next to the skirtboard(s).
- Glue and screw two 12" blocks (C) to the floor against the back side of the riser.

Step 3 – Install the starting step riser. (**Diag. 2**)

- Position the starting step riser against the skirtboards.
- Screw through block (D) into the rough horse and skirtboard at the closed side of the stair. It is recommended that clearance holes be drilled in the block first so the end of the riser will draw tight against the skirtboards. Finish nails or finish screws can also be driven through the riser into the horse or skirtboard (E).
- Drill clearance holes through the horse and skirtboard at (F). Then screw through the horse on the open side of the stair into the block in the bullnose end of the riser (F), drawing it tight against the skirtboard. Finish nails or finish screws can also be driven through the riser into the horse or skirtboard.
- Countersink screws through the face of the riser into the 12" blocks (G) as close to the floor as possible, so that the 3/4" high shoe moulding will cover the screws.

Step 4 – Prepare the starting tread for installation. (**Diag. 3**)

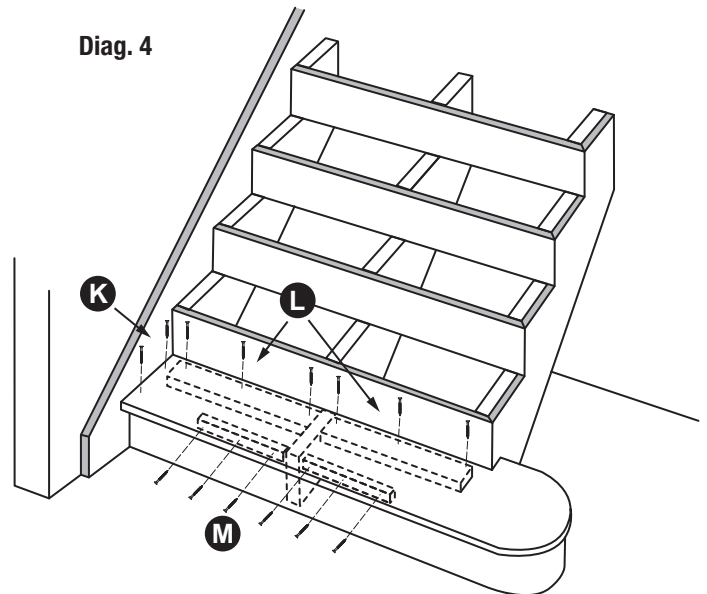
- Trim the starting step tread to length.
- Locate the starting step tread in its final position.
- Mark the face of the riser on the bottom of the starting step tread (**X**).
- Remove the tread and attach two 12" blocks (**H**) to the bottom of the tread, making sure they are 3/4" back (**Y**) from the mark made in the previous step (**X**). Secure the block with glue and screws.
- Glue and screw 2 x 4s as blocking (**J**) between rough horses at the back edge of the starting step tread, flush with the edge of the cut-out in the horse.



Step 5 – Install the starting step tread. (**Diag. 4**)

- Position the starting step tread against the skirtboard. Once you are sure the tread fits and can be secured, remove and reinstall the tread using construction adhesive on all contact surfaces.
- Fasten the top of the tread with 2-1/2" finish screws or nails through the tread into the rough horse at the closed end of the stair (**N**) and in the middle of the tread into the 2 x 4 blocking (**L**).
- Countersink the screws through the face of the riser into the 12" blocks (**M**) as close to the top as possible so that the 13/16" high cove moulding will cover the screws.

Diag. 4



Step 6 – Install the cove and shoe moulding.

- Fit the curved cove and shoe to the bullnose of the riser. Install the curved cove and shoe with brad nails and glue. Note: Due to the grain, the curved parts are very brittle. Pre-drill the parts for the nails to prevent splitting and cracking.
- Fit the straight cove and shoe and install with brad nails and glue.

Recommended Mounting Method for Starting Newels on a Bullnose Starting Step

3004 Newel Mounting Kit Method

- This mounting kit works well in most any situation, providing a simple but sturdy installation. Follow instructions with mounting kit.
- See catalog or www.creativestairparts.com for installation hardware options.

