

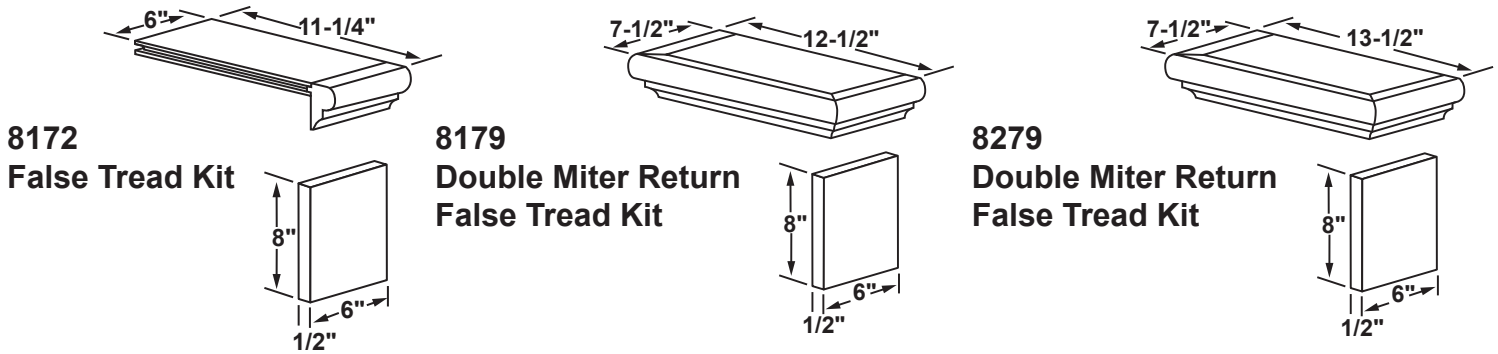
False Step Components

8172, 8179, 8279 False Tread Kit

8010-2 False Starting Steps Installation Instructions



The 8172, 8179 and 8279 False Tread Kits are intended as economical substitutes for standard 8070 Treads and 8075 Risers when a carpet runner is being used on a stair. The guidelines below will help the carpenter prepare the rough stair and install the False Treads and Risers. We recommend the use of screws, whenever possible, and glue on all contact surfaces.



IMPORTANT: Please read these instructions completely before beginning installation!

PART 1 -- BUILDING THE ROUGH STAIR

1. Lay out the three stringers to the required rise and run (C and B respectively). Accuracy is important for ease of fitting the false treads and risers later. (See Figure 1.)

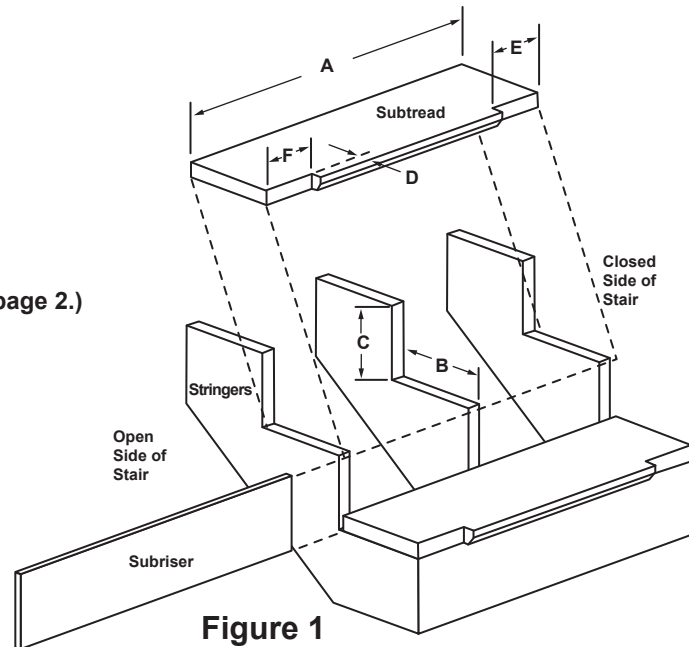
NOTE: If using the 8010-2 False Starting Step, see Part 5 before cutting the stringers.

2. Allowing space against the stud wall for drywall and a finished skirtboard, space the stringers equally and secure the top and bottom into place. (See Figure 1 and Figure 2 page 2.)
3. Cut the subriser to the overall width of the stringers and install. (See Figure 1.)

NOTE: Always install all of the risers before any treads.

4. Using Figure 1 and the steps below, prepare the subtreads.

- A= The overall rough stair width.
- B= The rough stair run.
- C= The rough stair rise.
- D= 1 1/4" nosing to keep carpet even with the nosing on false ends.
- E= Notch the closed end of the subtread 1 1/4" deep and 6" wide for the false ends.
- F= Notch the open end of the subtread 1 1/4" deep and 6" wide for the false ends. **NOTE: Subtract drywall and finished skirtboard thickness from the 6" width.**



If using 2x12's for the subtreads, chamfer the bottom edge of D in Figure 1.

Install subtreads using screws and construction adhesive to reduce the chance of a squeaky stair.

5. Install the finished skirtboard on the closed side of the stair. (See Figure 2 page 2, if applicable.)
6. When cutting out the open side finished skirtboard, miter cut each rise at 45° (See Figure 2 page 2) to avoid exposing end grain on the false riser. Install the finished skirtboard. (See Figure 2 page 2, if applicable.)

PART 2 -- INSTALLING THE FALSE RISERS

NOTE: If using the 8010-2 False Starting Step, do not install an 8076 False Riser at the first rise on the open side of the stair. (See Figure 5c page 4.)

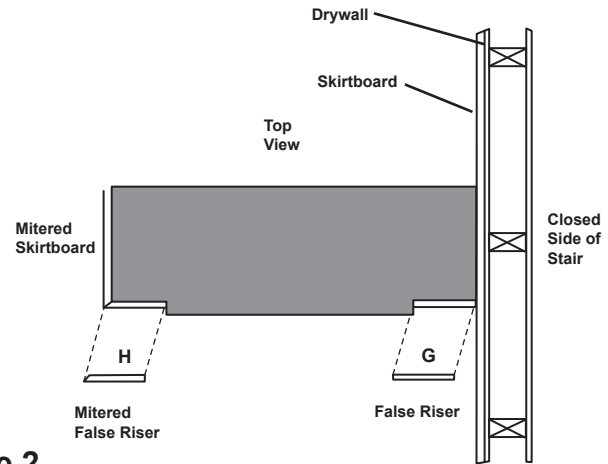
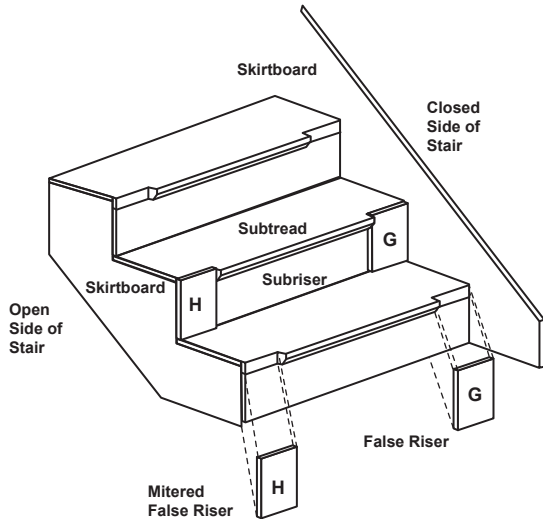


Figure 2

1. Fit and install the false risers on the closed side of the stair **G** using glue and finish nails. (See Figure 2.)
2. Cut a 45° miter on all false risers for the open side of the stair **H**. Fit and install the risers on the open side of the stair **H** using glue and finish nails. (See Figure 2.)

PART 3 -- INSTALLING THE 8172 FALSE TREADS ON THE CLOSED SIDE OF THE STAIR

NOTE: If using the 8010-2 False Starting Step, read all of Part 5 before beginning this procedure.

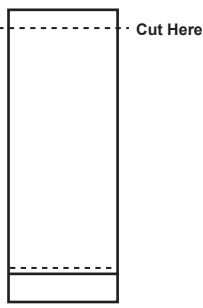


Figure 3a

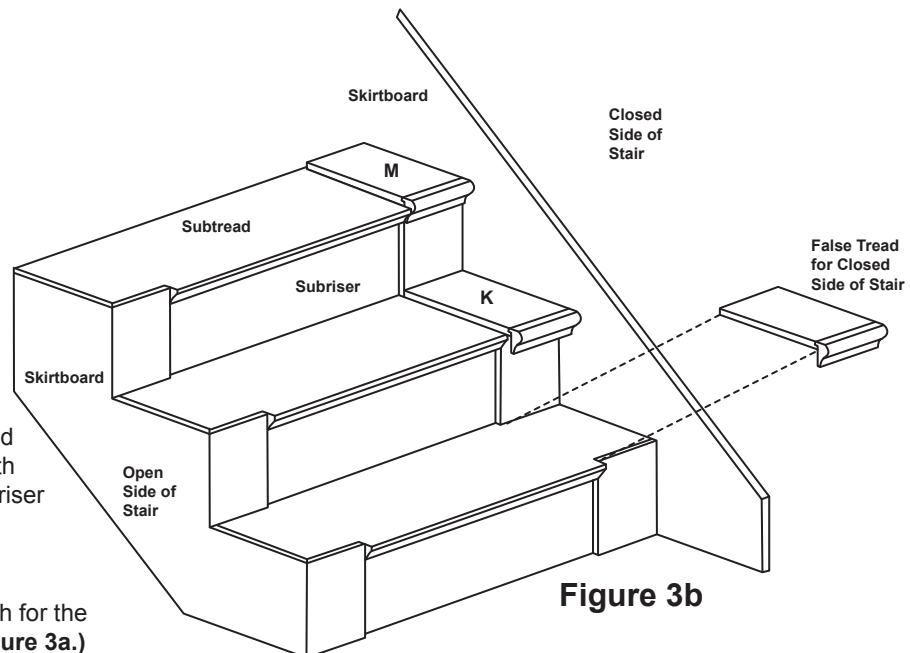


Figure 3b

1. Place the false treads on the closed side of the stair and mark the length needed from the face of one false riser to the face of the next false riser **K**. (See Figure 3.)
2. Cut and fit the false treads to length for the closed side of the stair **L**. (See Figure 3a.)
3. Install the assembled false treads to the stair using glue and finish nails **M**. (See Figure 3b.)

False Step Components

8172, 8179, 8279 False Tread Kit

8010-2 False Starting Steps Installation Instructions



PART 4 -- INSTALLING THE 8179 / 8279 FALSE TREADS ON THE OPEN SIDE OF THE STAIR

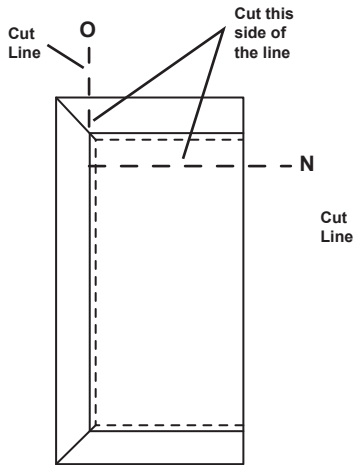


Figure 4a

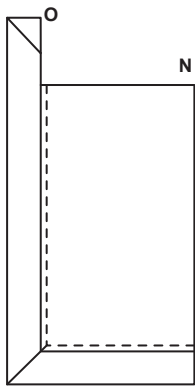


Figure 4b

1. Measure the length of the false tread (**X**) from the face of one false riser to the face of the next false riser. (See Figure 4c.)
2. Determine the orientation of the false tread facing the stair. Mark the length of the tread from the edge of the front moulding to the back **N**. Using a straight edge mark a cut line along the inside edge of the side moulding through the back end of the tread and moulding **O**. (See Figure 4a.)
3. Cut across the width of the tread **N** towards the side moulding, stopping at the edge of the moulding. **CAUTION! Do Not cut through the moulding!** Finish the cut with a coping saw. (See Figure 4a and 4b.) **NOTE: It is a good idea to make preliminary cuts inside of the outlines and then recut, file, or sand to final fit.**
4. Cut from the back of the tread along the edge of the moulding **O** intersecting the previous cut. Finish the cut with a coping saw. (See Figure 4a and 4b.)
5. Final fit and install the false treads to the stair using glue and finish nails **P**. (See Figure 4c.)

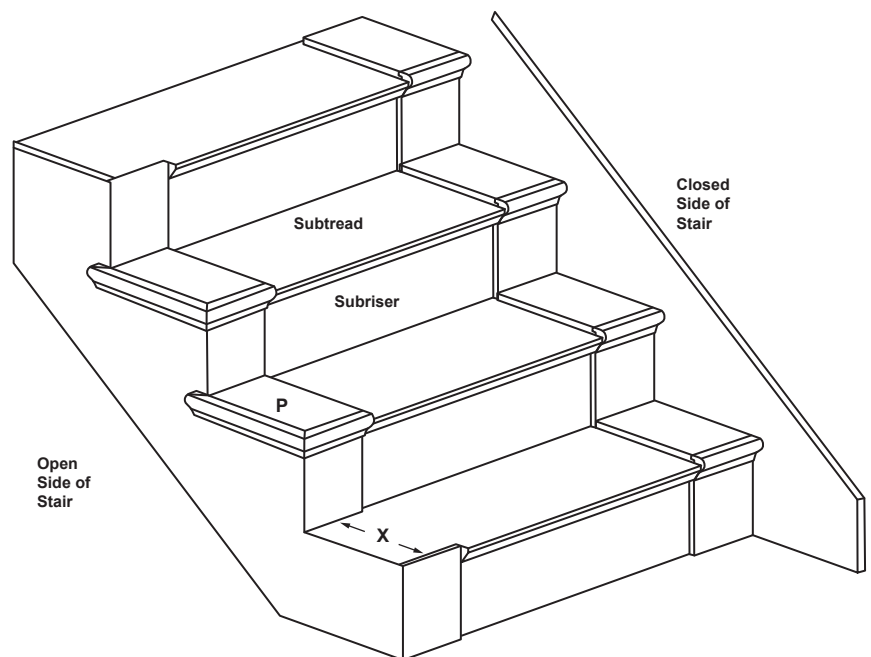
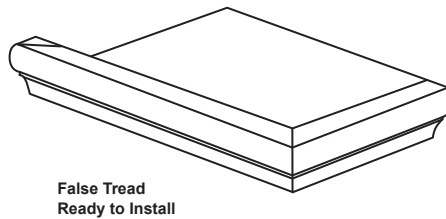


Figure 4c

NOTE: For interior use only

False Step Components

8172, 8179, 8279 False Tread Kit

8010-2 False Starting Steps Installation Instructions

PART 5 -- INSTALLING THE 8010-2 FALSE STARTING STEP

1/2" Plywood Shim

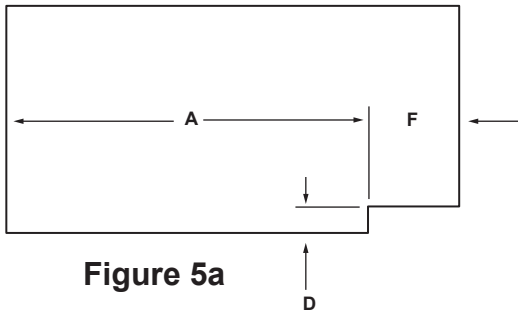


Figure 5a

1. When the 8010-2 False Starting Step is used, the bottom rise of the rough horse should be made 1/2" shorter than the other rises. **NOTE: The 1/2" will be cut from the top of the bottom riser.** This will accommodate the difference in the thickness of the 8010-2 1" and the treads in the 8079 False Tread Kit which are 1/2" thick.

2. Cut the 8010-2 riser to the correct rise. Secure the riser to the stair by screwing or nailing through the face of the riser into the stair and floor at the top and bottom edges where the cove and shoe mould will hide the screw heads. Attach the starting step tread to the stair and riser using glue and nails. Screws or nails can also be used underneath the bottom block of the starting newel where they will be hidden from view.

3. Prepare a 1/2" plywood shim per dimensions **A**, **F**, and **D** below in **Figure 5a**. Install the shim on top of the subtread between the 8010-2 tread and the closed side finished skirtboard. The shim will run beneath the false tread on the closed side of the stair.

D= 1 1/4" nosing to keep the carpet even with the nosing on the False Treads.

F= Notch the closed end of the shim 1 1/4" deep and 6" wide for the closed side false tread.

A= The width of the carpet running down the middle of the steps.

4. Install the risers and treads opposite the false starting step. (See **Figure 2, 3, and 5c.**)

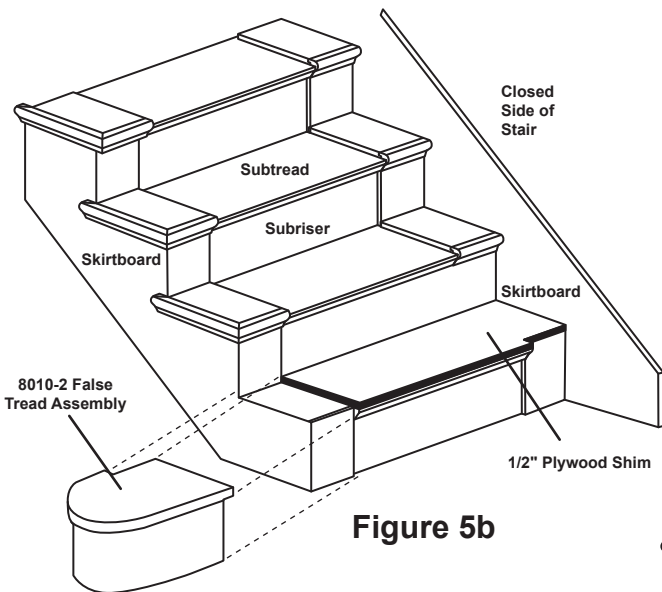


Figure 5b

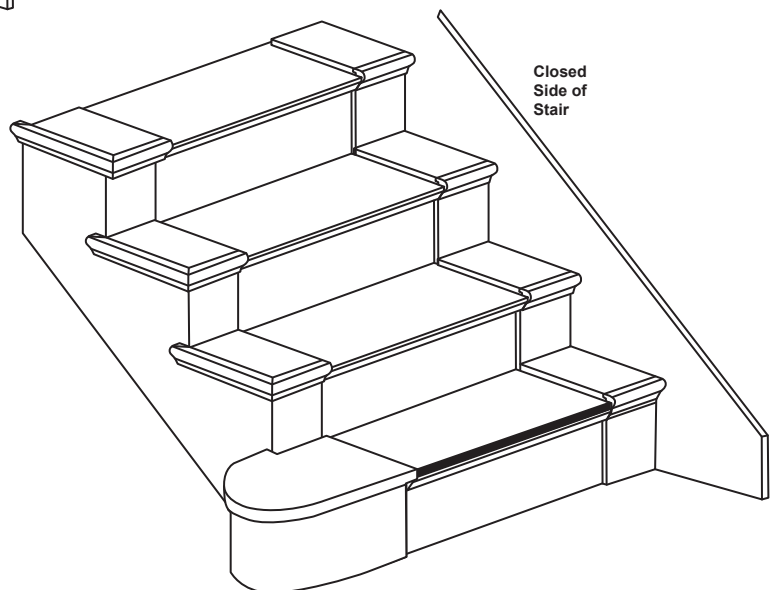


Figure 5c