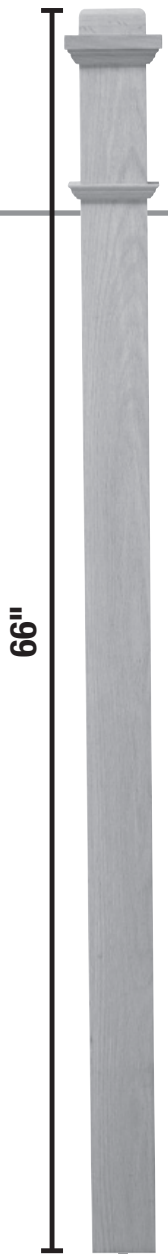


Box Newel Sleeve

4175-SL Box Newel Sleeve

Available in Oak, Poplar & Maple



66"

4075 Box Newel

3-1/2"



22-1/4"

4175-SL Box Newel Sleeve

4-1/4"



- **Box Newel Sleeves enhance your 4075 Box Newel by creating a larger base with minimal cost**
- **Easily slides over your 4075 Box Newel for a beautiful custom hand crafted look**
- **Smaller footprint box newel to use in areas where a standard box newel will not work**
- **Box Newel Sleeves from Creative Stair Parts are milled to match Creative's 4075 Box Newel and are available in:**

Oak – 4175 SL OAK

Maple – 4175 SL MAPLE

Poplar – 4175 SL POPLAR

Box Newel Installation Instructions

Open Tread and Balcony Installation



IMPORTANT: Please read all instructions thoroughly before beginning. For final installation, always use an approved adhesive at every assembly joint.

The following instructions are designed to be used for the installation of box newels using the 4091MB Box Newel Mounting Block. These instructions assume the location of each box newel has already been marked on the stairway and balcony.

Open Tread and Balcony Installation

- Trim the bottom of the newel to the proper length. If necessary, cut and notch the newel over the side of the balcony (see step 5.1) and if notching over the tread and riser, see step 5.2.
- Temporarily fit the mounting block from the inside bottom of the box newel. Make sure the countersunk hole end (top) of the block enters the newel first (D).
- Remove the mounting block from inside the newel. Coat the bottom of the block with construction adhesive and center it at the box newel location on the balustrade centerline (C). Be sure the countersunk hole end is facing up (H). Place a washer in each hole and secure the block to the floor using the provided screws. (If the newel is notched to fit over the edge of a balcony, only 2 washers and screws can be used to secure the block to the floor.) Proceed to Step 5 if the newel is notched.
- Coat the complete outer surface of the block with construction adhesive. Set the newel over the mounting block and secure the newel to the block using 4 small screws. Conceal all holes and hardware using plugs or putty and sand to finish.
- For notched newels, fill the void in the notched portion of the newel with a wood block (B F). Glue the block to the inside of the newel. Coat the exposed wood block with construction adhesive.

5.1 Landing Newel Installation:

Notch landing tread and skirt board for width of newel (A). Then notch the newel (B). Be sure that the newel will align with the balustrade centerline after notching (C).

Coat the mounting block with construction adhesive. Set the newel over the mounting block and secure the newel to the block using screws (D). Secure the newel to the face of the balcony by using lag bolts installed through the face of the newel (C). Screws may also be installed through the sides into the face of the plywood spacer block. Plug and sand all holes.

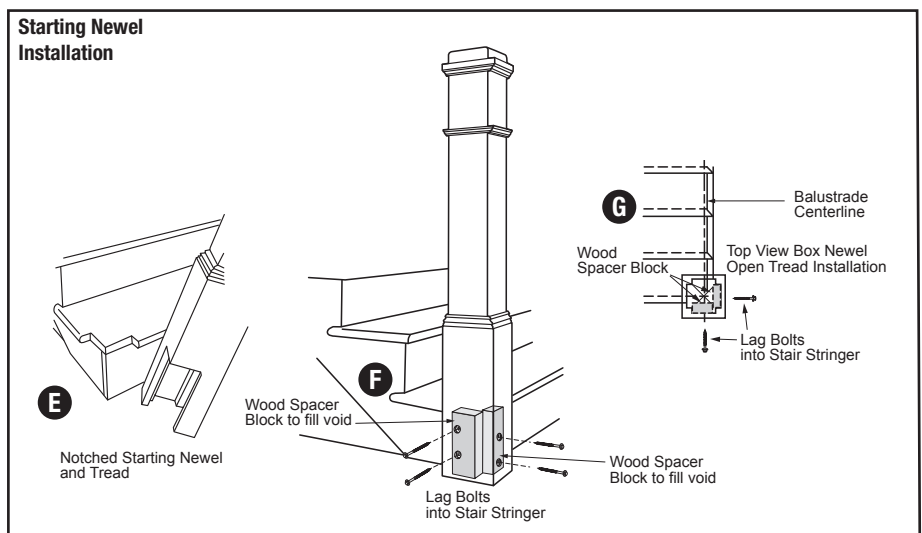
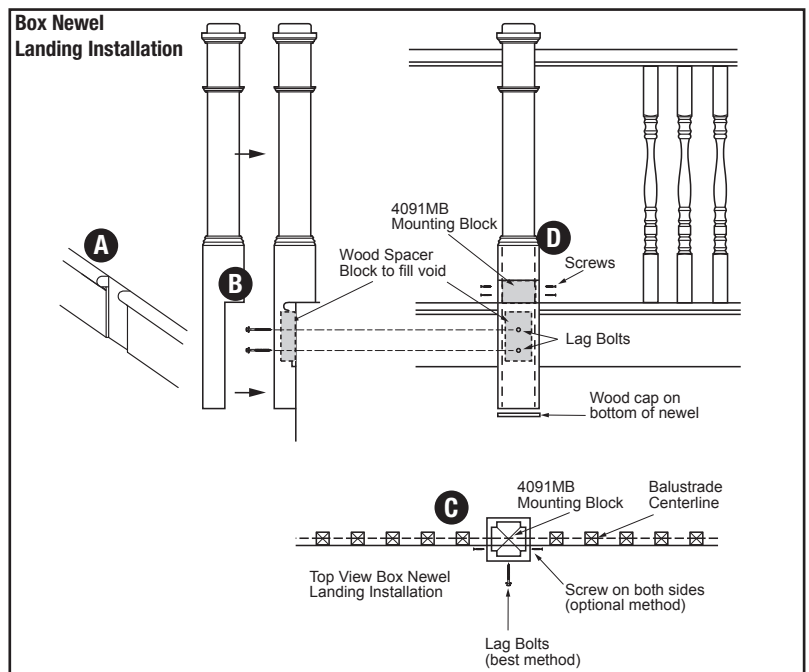
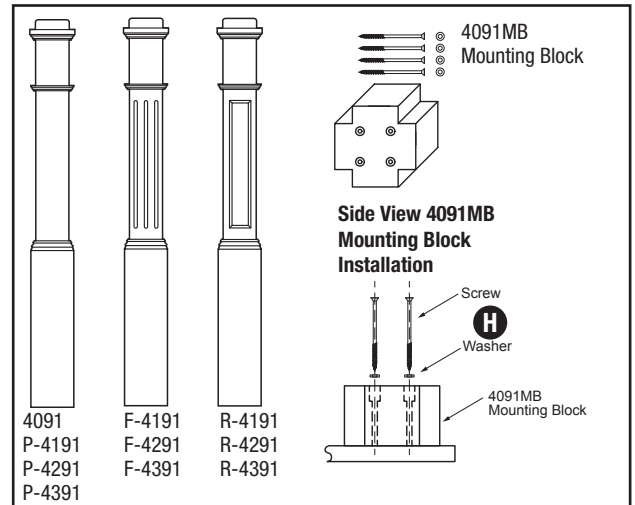
To conceal any end grain, apply a wood cap over the bottom of the newel that protrudes past the face of the balcony or intermediate landing.

5.2 Starting Newel Installation:

If notching over edge of tread and riser (E), be sure that the newel will align with the balustrade centerline after notching (G).

Use wood spacers to fill the void (F G). Test fit the spacers and newel, then glue and clamp the wood spacers to the insides of the newel and allow to dry. Use lag bolts to fasten the newel to the stair through the spacers and into the stair stringer (F). Plug and sand all holes.

Note: See catalog or www.creativestairparts.com for installation hardware options.



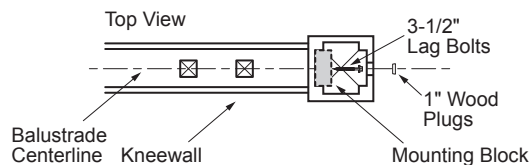
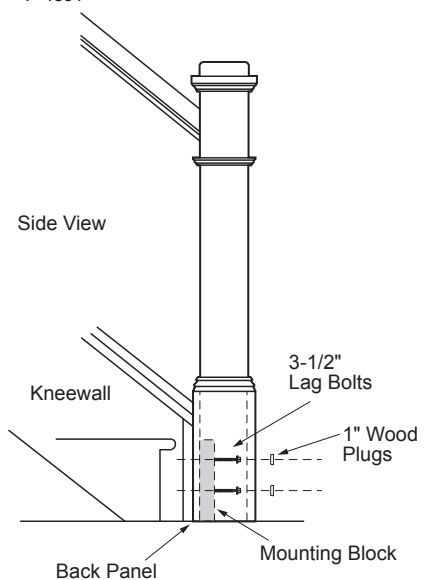
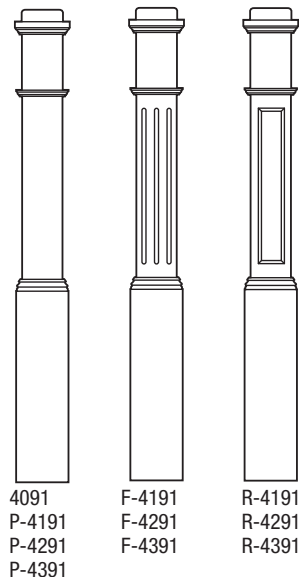
IMPORTANT: Please read all instructions thoroughly before beginning. For final installation, always use an approved adhesive at every assembly joint.

Kneewall Installation

1. Mark the balustrade centerline on the kneewall.
2. Cut the newel to length.
3. Make a mounting block from 3/4" plywood or 2" x 4" to fit between the corner bracing on the inside of the bottom of the box newel. Glue the block inside of the newel to the back panel.
4. Mark and drill two 1" diameter holes in the front panel of the newel.
5. Mark and drill two 3/8" diameter clearance holes in the back panel through the mounting block. These holes should be directly opposite the 1" holes in the newel face.
6. Mark and drill the appropriate pilot hole for a 1/4" or 5/16" x 3-1/2" lag bolt in the end of the kneewall to correspond with the holes previously drilled in the back panel of the box newel.
7. Position the newel and attach with 3 1/2" lag bolts (longer lag bolts may be required if using a 2" x 4" mounting block). Use glue or construction adhesive on the final assembly.
8. Install 1" plugs and sand.

Note: A solid block could also be attached to the floor so that the newel could be slid down over it. Then screws could be run thru the bottom of the panels into the blocking.

See catalog or www.creativestairparts.com for installation hardware options.



4075 Box Newel Installation Instructions Open Tread and Balcony Installation



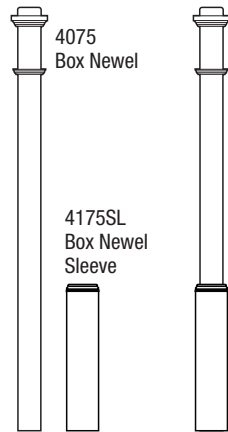
IMPORTANT: Please read all instructions thoroughly before beginning. For final installation, always use an approved adhesive at every assembly joint.

Installation with Sleeve on Open Tread Stairway or Balcony

1. Trim the bottom of the newel and/or sleeve to the proper length. If necessary, cut and notch the newel and/or sleeve over the edge of the tread/riser or over the edge of the balcony.
2. Slide the 4175SL Sleeve up onto the bottom of the box newel and clamp it out of the way.
3. Securely mount the newel post using the chosen method.
4. Release the sleeve and let it slide all the way down to the mounting surface. If the chosen hardware is not fully concealed, trim the base of the sleeve with shoe moulding or a moulding matched to the other trim in the home.
5. If a portion of the newel and/or sleeve is notched over the edge of the tread/riser or over the edge of the balcony, secure the newel and/or sleeve by using lag bolts installed through the face of the newel sleeve. Screws may also be installed through the sides into the face of the balcony. Plug and sand the holes.

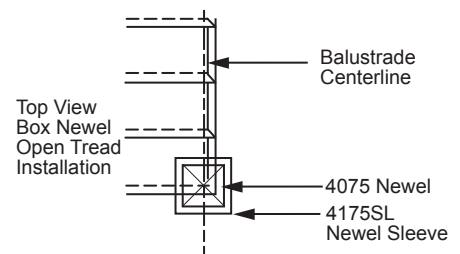
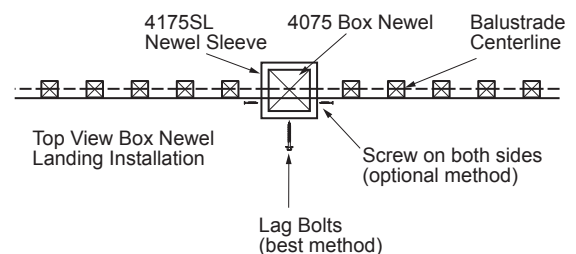
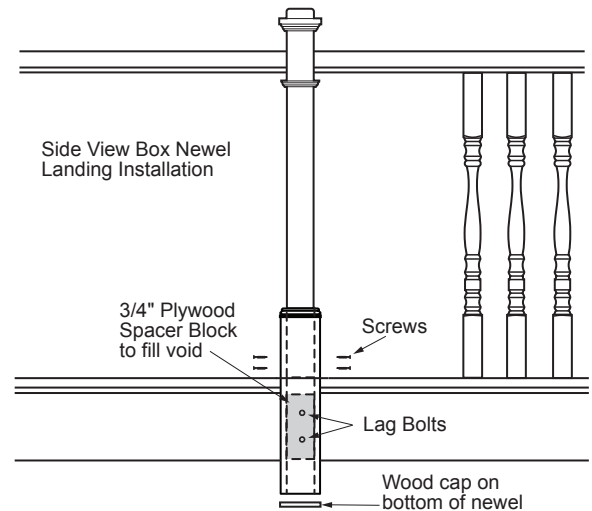
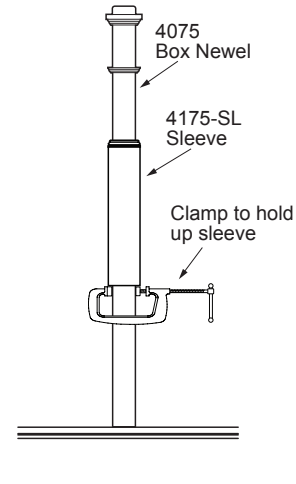
To conceal any end grain, apply a wood cap over the bottom of the newel that protrudes past the face of the balcony or intermediate landing.

See catalog or www.creativestairparts.com for installation hardware options that will allow you to install the 4075 Box Newel without the 4175SL Sleeve.



4075 & 4175SL combined

Both Newel and Sleeve can be trimmed to desired length



NOTE: For interior use only

4075 Box Newel Installation Instructions Open Tread and Balcony Installation

IMPORTANT: Please read all instructions thoroughly before beginning. For final installation, always use an approved adhesive at every assembly joint.

Installation with Sleeve on Kneewall Stairway

1. Trim the bottom of the newel to the proper length. If necessary, trim the sleeve to the desired length.
2. Slide the 4175SL Sleeve onto the bottom of the box newel. Mark and drill two 1" diameter holes through the front panel of the sleeve and into the newel face to a depth of approximately 1/4".
3. In the center of each 1" hole, drill a 3/8" diameter hole completely through the box newel and sleeve back panel.
4. Mark and drill the appropriate pilot hole for a 5/16" x 5-1/2" lag bolt in the end of the kneewall to correspond with the holes previously drilled through the newel and sleeve.
5. Position the newel with sleeve against the kneewall end. Attach with 5-1/2" lag bolts. Use glue or construction adhesive on the final assembly.
6. Install 1" plugs and sand.

See catalog or www.creativestairparts.com for installation hardware options that will allow you to install the 4075 Box Newel without the 4175SL Sleeve.

