

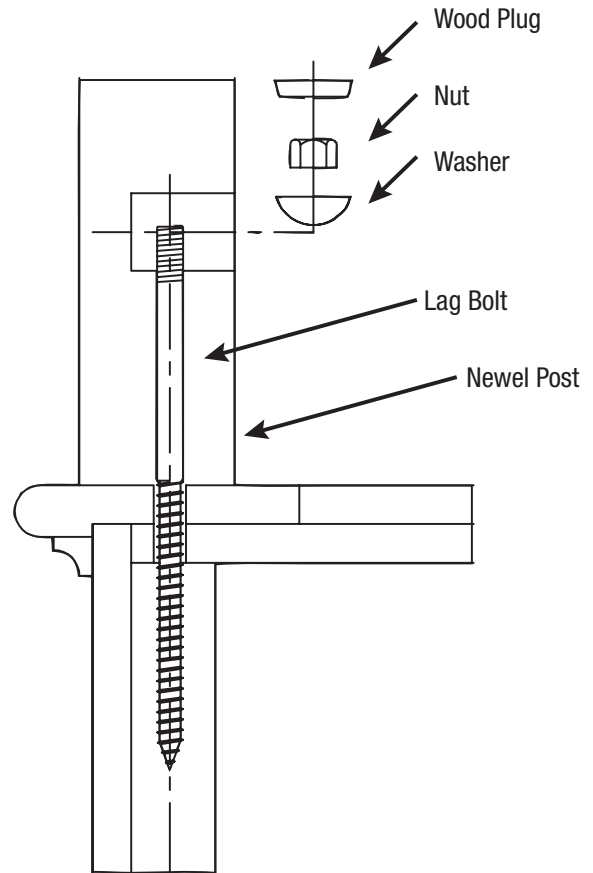
Newel Mounting Hardware

3008-10 Fastener



Use to mount newel posts on finished floor surfaces.

1. Locate and mark the center of your newel post location on the floor. Using a 5/8" spade bit, drill a hole at your center mark **ONLY** as deep as any landing tread or finished floor surface. Now using a 3/8" bit, extend the hole into adequate bracing to a depth of approximately 5".
2. Screw the lag end into the hole using a ratchet or drill and socket. For ease of turning lock two nuts together (extra nut not included). Remove nuts. Plumb the lag bolt by bending it as necessary. Do not hammer.
3. Cut newel post to length. Drill a 1 1/2" side access hole 5" on center from the bottom of post. Center the hole left to right. Drill depth so hole is 1" from the back side. **DO NOT DRILL THE 1 1/2" HOLE THROUGH THE POST.**
4. Drill a 5/8" hole up the center of the post 5" deep to meet the access hole. Slide the newel post over the lag bolt. From the 1 1/2" access hole place the nut and washer over the threads and torque down.
5. To plumb the post, mark the bottom of the newel post to an appropriate angle for plumbing. Remove post and trim. Reapply the post and torque the nut down. **IMPORTANT:** Stress post in all directions several times. Retighten the nut with extra torque.
6. Apply wood glue to the inside of the access hole. Tap the plug in with the tapered end facing in, until plug is almost flush. Let dry and sand finish.



Tools Needed: 3/8" Twist Bit, 5/8" Spade Bit, 1 1/2" Spade Bit, 3/4" box end wrench