

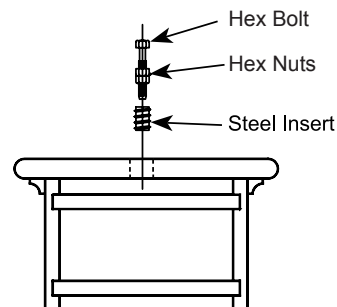
## 3004 Newel Installation Kit Instructions

**NOTE: For interior use only**

The Newel Installation Kit is fully concealable. Use on finish floor surfaces, landings, or starting steps.

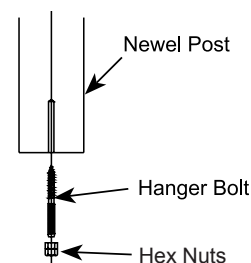
### Installing the Steel Insert to receive the newel

1. Position newel on hand rail centerline. Scribe a line on the starting step tread or floor around the newel. Scribe an "x" at the center of the newel. At the marked center of the newel, drill a 5/8" hole into the floor 1-1/4" to 2-1/4" deep. To reduce splintering, chamfer the edge of the hole.
2. Install the (2) Hex Nuts on the Hex Bolt. Lock them together at the shank of the bolt leaving at least 1/4" of the threads exposed on the end of the bolt to receive the Steel Insert. Thread the Hex Bolt into the Steel Insert until the insert contacts the Hex Nuts. **DO NOT LOCK THE STEEL INSERT AGAINST THE HEX NUTS!**
3. Thread the Steel Insert into the tread of the starting step or floor. The Steel Insert must be at least 1/8" below the tread/floor level or deeper. Unseat the Hex Bolt and remove it.



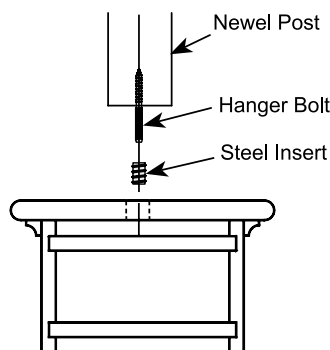
### Installing the Hanger Bolt in the newel

1. After cutting the newel post to length, find the center of the newel on the bottom square by scribing an "x" from corner to corner. Drill a 5/16" diameter pilot hole into the bottom of the newel post.
2. Remove the (2) Hex Nuts from the Hex Bolt, installing them on the Hanger Bolt. Lock the Hex Nuts and Hanger Bolt together. Install the Hanger Bolt into the bottom of the newel post. Leave enough of the bolt exposed to reach through the floor and thread completely into the Steel Insert. Unlock and remove the Hex Nuts.



### Mounting the Newel Post to the Floor

1. Thread the Hex Bolt installed on the newel post into the Steel Insert until it contacts the starting step tread or floor on all four corners. To seat the newel firmly to the tread or floor, turn it one (1) full turn after it contacts the tread/floor on all sides. Adhesive should be applied to the bottom of the newel post upon final placement and assembly.



### Tools needed for installation (not included):

- 5/16" Twist Bit
- 5/8" Spade Bit
- 9/16" Wrench